



Staple type: SZ16
16 GAUGE STAPLES MEDIUM CROWN
 Wire Ø: 1.53mm

Suitable for the following tools*:

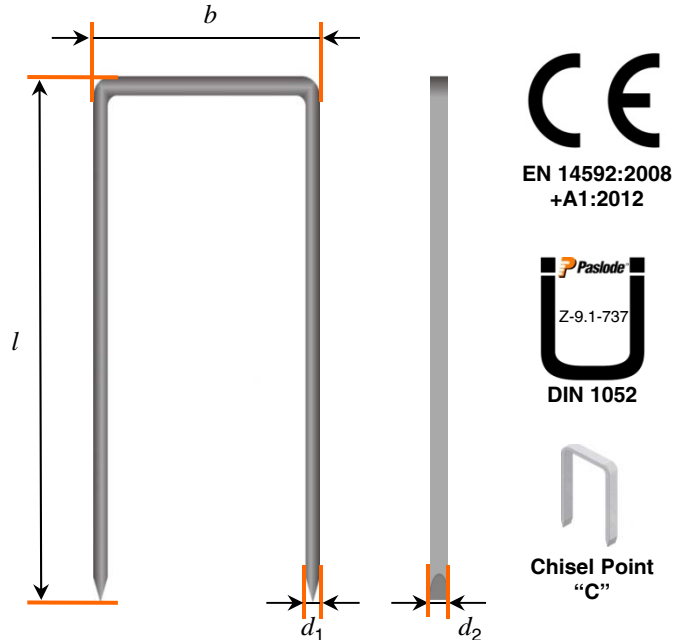
Paslode S200 S16
 3200/50 S16 PQ
 4200/50 S16 PQ

**please check staple length compatibility with each tool before use*

Staple lengths available: 41mm – 50mm
 Staples per strip: 70

CORROSION PROTECTION

Finish	Usage Environment	Label Colour on Packaging
Zinc Galv 12µm	Service Class 1 & 2 INDOOR & COVERED OUTDOOR	Purple
Stainless Steel A2 AISI 304 / WNr 1.4301	Service Class 1,2 & 3 INDOOR, COVERED OUTDOOR & OUTDOOR	Yellow



STAPLE PROPERTIES / DIMENSIONS

Tensile strength of wire:	min 900 N/mm ²
Nominal diameter (<i>d</i>):	1.53mm
Flattened wire dimension:	(<i>d</i> ₁): 1.34mm (<i>d</i> ₂): 1.60mm
Outside crown width (<i>b</i>):	12.80mm
Strip length:	approx 113.40mm
Standard point:	“C”
Coating type:	Type 3, staple cement from Dr. Schmid
Coated leg length:	Full

CHARACTERISTIC PARAMETERS FOR CALCULATION TO EUROCODE 5

Head pull-through <i>f</i> _{head,k} [N/mm ²]	Withdrawal <i>f</i> _{ax,k} [N/mm ²]	Yield moment <i>M</i> _{y,Rk} [Nmm]
35,80	5,10	580

- To obtain characteristic head pull-through capacity multiply parameter by outside crown width *b* and nominal diameter *d*
- For withdrawal capacity multiply parameter by base material embedment and nominal diameter *d* for each staple leg
- Values based on characteristic wood density of 350kg/m³ and on crown angle of ≥ 30° to the grain

Minimum embedment in base member is 14 times the diameter.
 See Eurocode 5 for complete rules on designing timber connections.

STAPLE LENGTHS AVAILABLE*

Finish	Lengths Available <small>*Other lengths on request</small>
Zinc Galv 12µm	41mm, 45mm, 50mm
Stainless Steel A2 AISI 304 / WNr 1.4301	41mm

Zinc Galv 12µm staples are produced from non-alloy steel rods according to EN ISO 16120; Stainless Steel A2 staples are produced from austenitic stainless steel rods according to EN 10088.

Paslode is a brand of the ITW Group. ITW reserves the right to change specification without notice. All design using this data should be carried out by a qualified structural engineer, subject to relevant National and European standards or regulations.