



Staple type: SD 91000  
 14 GAUGE STAPLES MEDIUM CROWN  
 Wire Ø: 2.00mm

### Suitable for the following tools\*:

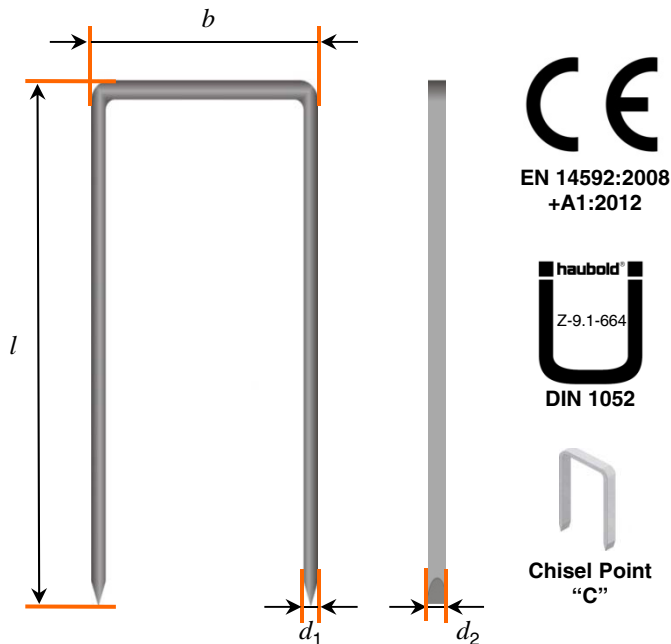
haubold PN 9180 XII  
 PN 91120 D

\*please check staple length compatibility with each tool before use

Staple lengths available: 50mm – 120mm  
 Staples per strip: up to 80mm = 57  
 90-120mm = 40

### CORROSION PROTECTION

Finish	Usage Environment	Label Colour on Packaging
Zinc Galv 12µm	Service Class 1 & 2 INDOOR & COVERED OUTDOOR	Purple
Stainless Steel A2 AISI 304 / WNr 1.4301	Service Class 1,2 & 3 INDOOR, COVERED OUTDOOR & OUTDOOR	Yellow



### STAPLE PROPERTIES / DIMENSIONS

Tensile strength of wire: min 900 N/mm<sup>2</sup>  
 Nominal diameter (d): 2.00mm  
 Flattened wire dimension: (d<sub>1</sub>): 1.77mm  
 (d<sub>2</sub>): 2.08mm  
 Outside crown width (b): 11.76mm  
 Strip length: app 121.40mm (57/strip)  
 app 85.20mm (40/strip)  
 Standard point: "C"  
 Coating type: Type 3, staple cement from Dr. Schmid  
 Coated leg length: Full

### CHARACTERISTIC PARAMETERS FOR CALCULATION TO EUROCODE 5

Head pull-through f <sub>head,k</sub> [N/mm <sup>2</sup> ]	Withdrawal f <sub>ax,k</sub> [N/mm <sup>2</sup> ]	Yield moment M <sub>y,Rk</sub> [Nmm]
28,80	5,10	1200

- To obtain characteristic head pull-through capacity multiply parameter by outside crown width *b* and nominal diameter *d*
- For withdrawal capacity multiply parameter by base material embedment and nominal diameter *d* for each staple leg
- Values based on characteristic wood density of 350kg/m<sup>3</sup> and on crown angle of ≥ 30° to the grain

Minimum embedment in base member is 14 times the diameter.  
 See Eurocode 5 for complete rules on designing timber connections.

### STAPLE LENGTHS AVAILABLE\*

Finish	Lengths Available *Other lengths on request
Zinc Galv 12µm	60mm, 65mm, 70mm, 75mm, 80mm, 90mm, 100mm, 120mm
Stainless Steel A2 AISI 304 / WNr 1.4301	50mm, 65mm, 80mm, 100mm, 120mm

Zinc Galv 12µm staples are produced from non-alloy steel rods according to EN ISO 16120; Stainless Steel A2 staples are produced from austenitic stainless steel rods according to EN 10088.

haubold is a brand of the ITW Group. ITW reserves the right to change specification without notice. All design using this data should be carried out by a qualified structural engineer, subject to relevant National and European standards or regulations.