



Staple type: KL 9000
FLAT WIRE STAPLES WIDE CROWN

Wire Ø: 0.74mm

Suitable for the following tools*:

haubold PW 9022 J
 PH 9022 J


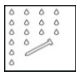
Duo-Fast DWS 6532

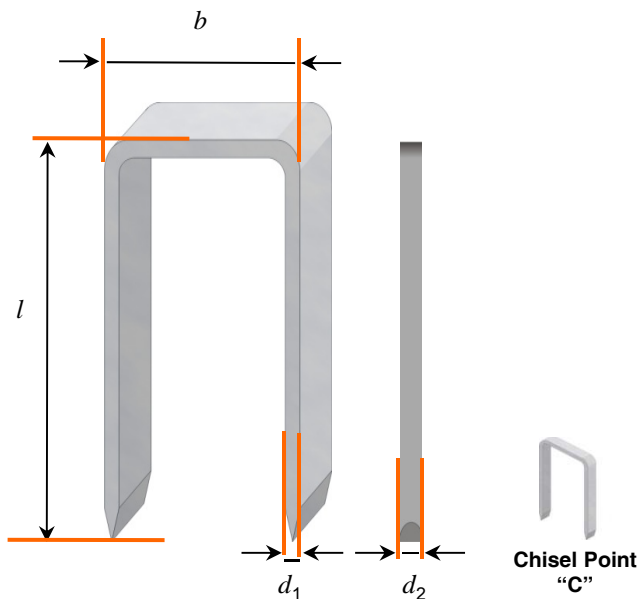
**please check staple length compatibility with each tool before use*

Staple lengths available: 8mm – 22mm

Staples per strip: 84

CORROSION PROTECTION

Finish	Usage Environment	Label Colour on Packaging
Zinc Galv	INDOOR 	Blue
Stainless Steel A2 AISI 304 / WNr 1.4301	INDOOR, COVERED OUTDOOR & OUTDOOR 	Yellow



STAPLE PROPERTIES / DIMENSIONS

Tensile strength of wire:	min 900 N/mm ²
Nominal diameter (d):	0.74mm
Flattened wire dimension:	(d_1): 0.62mm (d_2): 1.30mm
Outside crown width (b):	12.55mm
Strip length:	approx 110.00mm
Standard point:	"C"
Coated leg length:	Full

STAPLE LENGTHS AVAILABLE*

Finish	Lengths Available <small>*Other lengths on request</small>
Zinc Galv	8mm, 10mm, 12mm, 14mm, 16mm, 20mm, 22mm
Stainless Steel A2 AISI 304 / WNr 1.4301	10mm

haubold is a brand of the ITW Group. ITW reserves the right to change specification without notice. All design using this data should be carried out by a qualified structural engineer, subject to relevant National and European standards or regulations.