




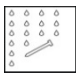
Staple type: KL 4000
 21 GAUGE STAPLES NARROW CROWN
 Wire Ø: 0.84mm

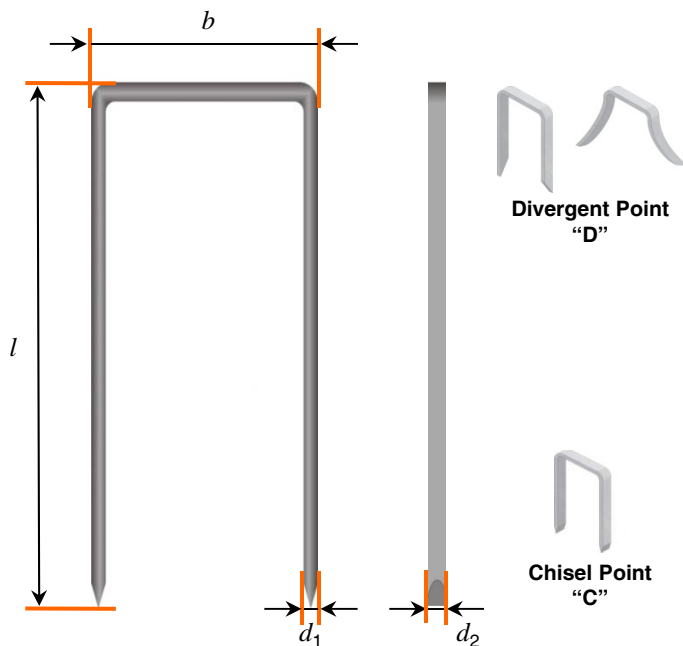
Suitable for the following tools*:

haubold PN 4014 G, PN 4016
 PN 4025 JN, PN 4003.5 G
 PN 4004 G
 PN 4005 G
**please check staple length compatibility with each tool before use*

Staple lengths available: 4mm – 25mm
 Staples per strip: 115

CORROSION PROTECTION

Finish	Usage Environment	Label Colour on Packaging
Zinc Galv 1-3µm	INDOOR 	Blue
Stainless Steel A2 AISI 304 / WNr 1.4301	INDOOR, COVERED OUTDOOR & OUTDOOR 	Yellow



STAPLE PROPERTIES / DIMENSIONS

Tensile strength of wire: min 900 N/mm²
 Nominal diameter (d): 0.84mm
 Flattened wire dimension: (d_1): 0.72mm
 (d_2): 0.90mm
 Outside crown width (b): 4.90mm
 Strip length: approx 110.00mm
 Standard point: "C" & "D"
 Coated leg length: Full

STAPLE LENGTHS AVAILABLE*

Finish	Lengths Available <small>*Other lengths on request</small>
Zinc Galv 1-3µm	4mm, 5mm, 6mm, 8mm, 10mm, 12mm, 14mm, 16mm, 20mm, 25mm
Stainless Steel A2 AISI 304 / WNr 1.4301	4mm, 6mm, 10mm

haubold is a brand of the ITW Group. ITW reserves the right to change specification without notice. All design using this data should be carried out by a qualified structural engineer, subject to relevant National and European standards or regulations.