



Staple type: KL 1400
 23 GAUGE STAPLES MEDIUM CROWN
 Wire Ø: 0.685mm


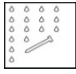
Suitable for the following tools*:

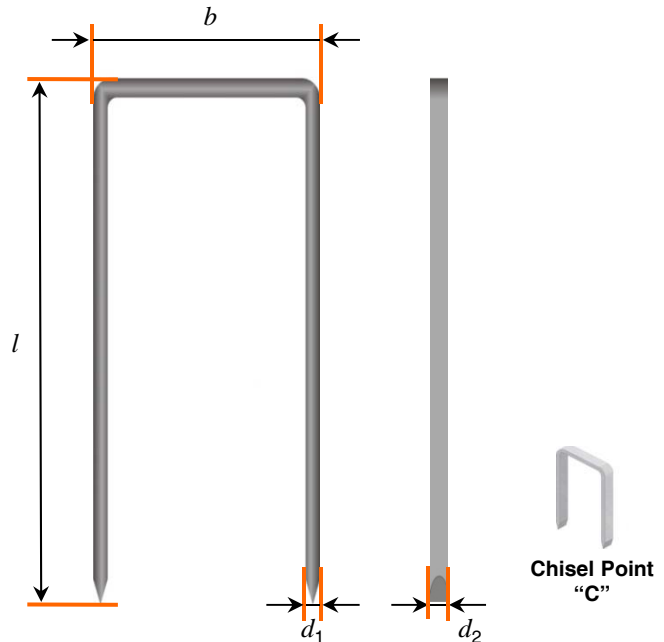
haubold PN 1414 JG/A
 PN 1414 G 50 L
 PN 1414 G
 PN 1416 (F)

**please check staple length compatibility with each tool before use*

Staple lengths available: 4mm – 16mm
 Staples per strip: 100 / 200

CORROSION PROTECTION

Finish	Usage Environment	Label Colour on Packaging
Zinc Galv	INDOOR 	Blue
Stainless Steel A2 AISI 304 / WNr 1.4301	INDOOR, COVERED OUTDOOR & OUTDOOR 	Yellow



STAPLE PROPERTIES / DIMENSIONS

Tensile strength of wire: min 1000 N/mm²
 Nominal diameter (d): 0.685mm
 Flattened wire dimension: (d_1): 0.58mm
 (d_2): 0.74mm
 Outside crown width (b): 10.10mm
 Strip length: approx 148.50mm
 Standard point: "C"
 Coated leg length: Full

STAPLE LENGTHS AVAILABLE*

Finish	Lengths Available <small>*Other lengths on request</small>
Zinc Galv	4mm, 5mm, 6mm, 8mm, 10mm, 12mm, 14mm, 16mm
Stainless Steel A2 AISI 304 / WNr 1.4301	6mm, 10mm

haubold is a brand of the ITW Group. ITW reserves the right to change specification without notice. All design using this data should be carried out by a qualified structural engineer, subject to relevant National and European standards or regulations.