



Staple type: HD 7900
15 GAUGE STAPLES MEDIUM CROWN
 Wire Ø: 1.80mm

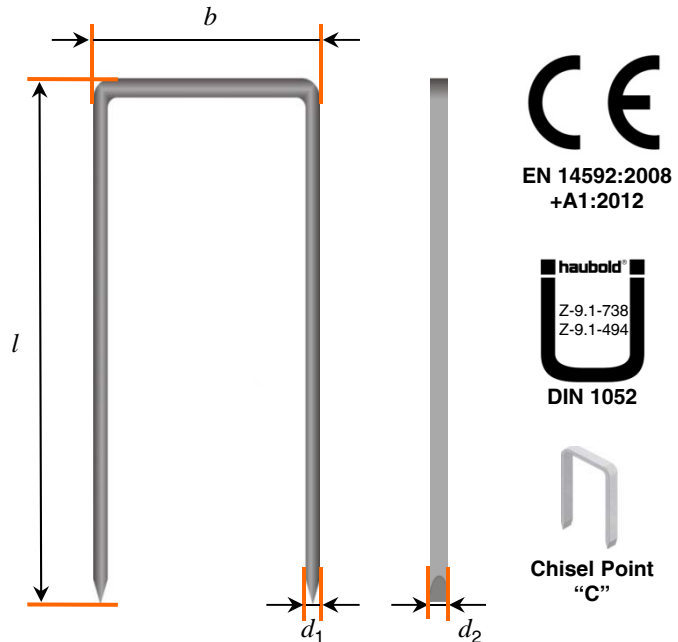
Suitable for the following tools*:

haubold PN 7955, PN 7965 (XII) A
 PN 7975 XII, PN 9165 XII A
 PN 9180 XII
 Duo-Fast HDS-1565, MS 7680 D
**please check staple length compatibility with each tool before use*

Staple lengths available: 42mm – 75mm
 Staples per strip: 65

CORROSION PROTECTION

Finish	Usage Environment	Label Colour on Packaging
Zinc Galv 12µm	Service Class 1 & 2 INDOOR & COVERED OUTDOOR	Purple
Stainless Steel A2 AISI 304 / WNr 1.4301	Service Class 1,2 & 3 INDOOR, COVERED OUTDOOR & OUTDOOR	Yellow



STAPLE PROPERTIES / DIMENSIONS

Tensile strength of wire: min 900 N/mm²
 Nominal diameter (d): 1.80mm
 Flattened wire dimension: (d_1): 1.60mm
 (d_2): 1.89mm
 Outside crown width (b): 11.00mm
 Strip length: approx 121.50mm
 Standard point: "C"
 Coating type: Type 3, staple cement from Dr. Schmid
 Coated leg length: Full

CHARACTERISTIC PARAMETERS FOR CALCULATION TO EUROCODE 5

Head pull-through $f_{\text{head,k}}$ [N/mm ²]	Withdrawal $f_{\text{ax,k}}$ [N/mm ²]	Yield moment $M_{y,Rk}$ [Nmm]
29,00	5,10	780

- To obtain characteristic head pull-through capacity multiply parameter by outside crown width b and nominal diameter d
- For withdrawal capacity multiply parameter by base material embedment and nominal diameter d for each staple leg
- Values based on characteristic wood density of 350kg/m³ and on crown angle of $\geq 30^\circ$ to the grain

Minimum embedment in base member is 14 times the diameter.
 See Eurocode 5 for complete rules on designing timber connections.

STAPLE LENGTHS AVAILABLE*

Finish	Lengths Available *Other lengths on request
Zinc Galv 12µm	42mm, 45mm, 50mm, 57mm, 55mm, 60mm, 65mm, 70mm, 75mm
Stainless Steel A2 AISI 304 / WNr 1.4301	45mm, 65mm

Zinc Galv 12µm staples are produced from non-alloy steel rods according to EN ISO 16120; Stainless Steel A2 staples are produced from austenitic stainless steel rods according to EN 10088.

haubold is a brand of the ITW Group. ITW reserves the right to change specification without notice. All design using this data should be carried out by a qualified structural engineer, subject to relevant National and European standards or regulations.