




Staple type: FD 3000
FLAT WIRE STAPLES WIDE CROWN
 Wire Ø: 1.70mm

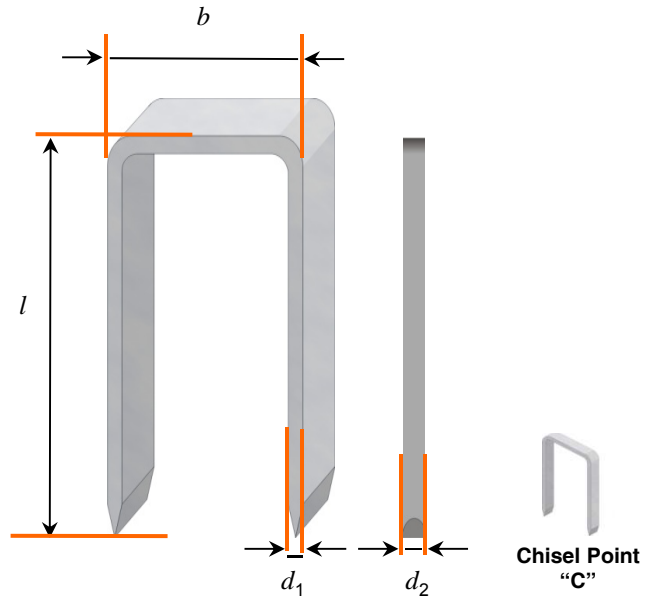
Suitable for the following tools*:

haubold PN 3030 A

Staple lengths available: 15mm – 30mm
 Staples per strip: 35

CORROSION PROTECTION

Finish	Usage Environment	Label Colour on Packaging
Zinc Galv 3µm	INDOOR 	Blue



STAPLE PROPERTIES / DIMENSIONS

Tensile strength of wire:	min 700 N/mm ²
Nominal diameter (<i>d</i>):	1.70mm
Flattened wire dimension:	(<i>d</i> ₁): 0.95mm (<i>d</i> ₂): 2.40mm
Outside crown width (<i>b</i>):	22.50mm
Strip length:	approx 85.75mm
Standard point:	“C”
Coated leg length:	Full

STAPLE LENGTHS AVAILABLE*

Finish	Lengths Available *Other lengths on request
Zinc Galv 3µm	15mm, 20mm, 25mm, 30mm

haubold is a brand of the ITW Group. ITW reserves the right to change specification without notice. All design using this data should be carried out by a qualified structural engineer, subject to relevant National and European standards or regulations.