



Staple type: BK 2500  
 16 GAUGE STAPLES WIDE CROWN

Wire Ø: 1.53mm

### Suitable for the following tools\*:

haubold PN 2550 A  
 PN 2575 A/HWL

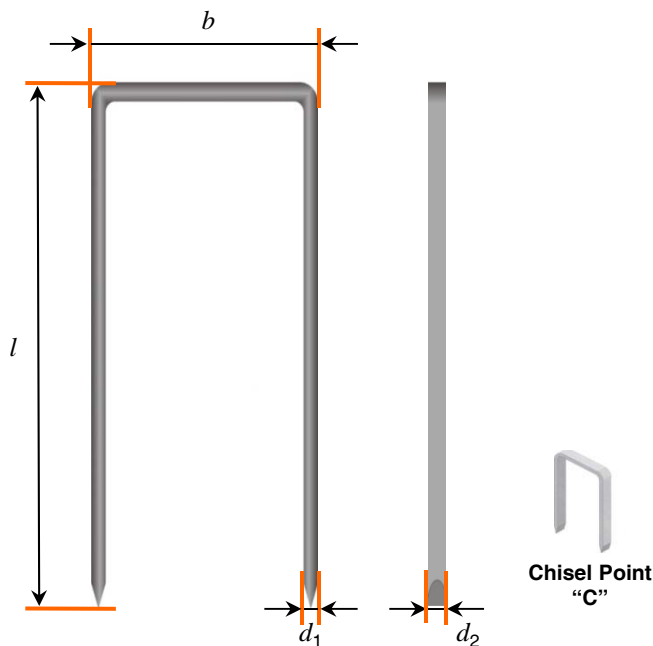
*\*please check staple length compatibility with each tool before use*

Staple lengths available: 16mm – 50mm

Staples per strip: 52

### CORROSION PROTECTION

Finish	Usage Environment	Label Colour on Packaging
Zinc Galv 3µm	INDOOR 	Blue



### STAPLE PROPERTIES / DIMENSIONS

Tensile strength of wire:	min 900 N/mm <sup>2</sup>
Nominal diameter (d):	1.53mm
Flattened wire dimension:	(d <sub>1</sub> ): 1.34mm (d <sub>2</sub> ): 1.60mm
Outside crown width (b):	26.00mm
Strip length:	approx 84.20mm
Standard point:	“C”
Coated leg length:	Full

### STAPLE LENGTHS AVAILABLE\*

Finish	Lengths Available <small>*Other lengths on request</small>
Zinc Galv 3µm	16mm, 19mm, 25mm, 32mm, 38mm, 44mm, 50mm

haubold is a brand of the ITW Group. ITW reserves the right to change specification without notice. All design using this data should be carried out by a qualified structural engineer, subject to relevant National and European standards or regulations.