




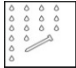
Staple type: 75 Series Staples
Wire Ø: 1.00mm

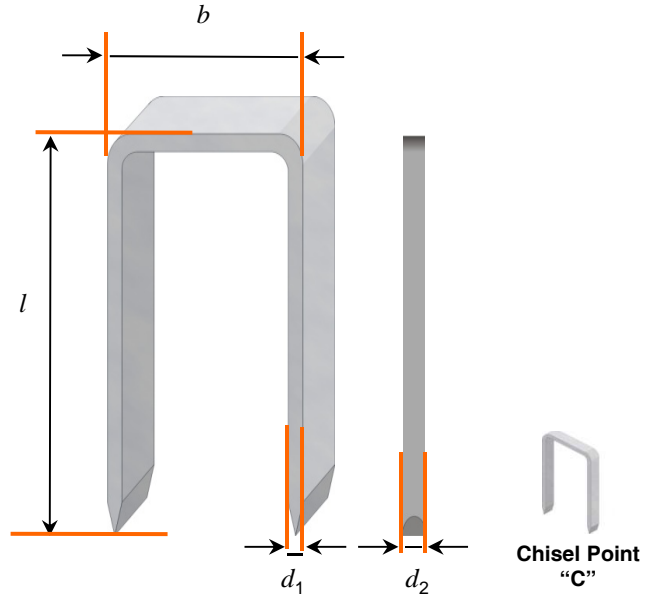
Suitable for the following tools:

Duo-Fast HT 755 C

Staple lengths available: 10mm – 14mm
Staples per strip: 84

CORROSION PROTECTION

Finish	Usage Environment	Label Colour on Packaging
Zinc Galv 1-3µm	INDOOR 	Blue
Stainless Steel A2 AISI 304 / WNr 1.4301	INDOOR, COVERED OUTDOOR & OUTDOOR 	Yellow



STAPLE PROPERTIES / DIMENSIONS

Tensile strength of wire:	min 900 N/mm ²
Nominal diameter (<i>d</i>):	1.00mm
Flattened wire dimension:	(<i>d</i> ₁): 0.63mm (<i>d</i> ₂): 1.27mm
Outside crown width (<i>b</i>):	12.00mm
Strip length:	approx 113.00mm
Standard point:	“C”
Coated leg length:	Full

STAPLE LENGTHS AVAILABLE*

Finish	Lengths Available <small>*Other lengths on request</small>
Zinc Galv 1-3µm	10mm, 12mm, 14mm
Stainless Steel A2 AISI 304 / WNr 1.4301	10mm

Duo-Fast is a brand of the ITW Group. ITW reserves the right to change specification without notice. All design using this data should be carried out by a qualified structural engineer, subject to relevant National and European standards or regulations.